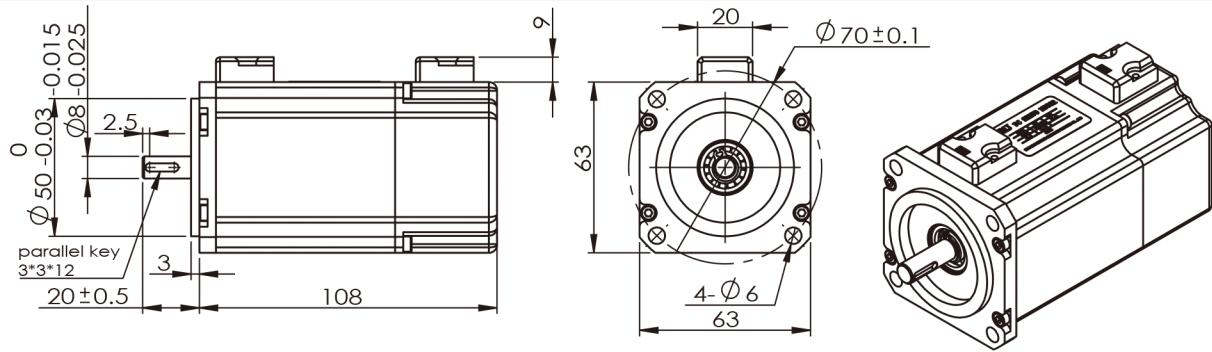


# SMP62 | Servo



## Motor Data

1	motor model		SMP6212	SMP6224	SMP6236	SMP6248H	
2	nominal power	PR	188	188	284	403	W
3	nominal voltage	VT	12	24	36	48	V
4	nominal current	IR	22.8	11.4		11	A
5	instantaneous maximum current	IP	45	35		33	A
6	nominal speed	NR	3000	3000	4520	3500	rpm
7	maximum speed	NP	4000	4000	5000	4750	rpm
8	nominal torque	TR	0.6	0.6		1.05	Nm
9	peak torque	TP	1.2	1.8		3.15	Nm
10	torque constant	KT	0.029	0.058		0.096	Nm / A
11	back EMF constant	Ke	3.03	6.07		10.05	V / Krpm
12	rotor inertia	J	1.98	1.98		3.05	Kg*cm <sup>2</sup>
13	terminal resistance	R	0.08	0.31		0.31	Ω
14	cogging and hysteresis torque	Tc Th	0	0		0	mNm
15	terminal inductance	L	9	35		50	μH
16	mechanical time constant	Tm	22	22		20	ms
17	electric time constant	Te	0.113	0.114		0.161	ms
18	number of pole pairs	2p	4	4		4	
19	weight of motor	W	1.01	1.01		1.2	Kg
20	encoder options		incremental (2500PPR) \ Absolute (17\33 bit)				
21	motor insulation class		class B				
22	protection class		IP64				
23	ambient temperature		-20~+40°C				

## Graph

A: Continuous Working Area  
B: Repeatedly Working Area

